

SPRAY CHARACTERISTICS

- Uniform distribution of spray droplets in a hollow cone shaped pattern.
- For nozzles of the same capacity, the droplet size of hollow cone type nozzles are smaller than droplets produced by solid cone nozzles.

CONSTRUCTION AND MATERIALS

- One piece body with removable spiral type core.
- Hex body for easy installation, eliminates distortion of orifice during installation.
- Available in Male BSPP thread design only.
- Brass and 316 Stainless Steel are standard.
- Other materials available to special order.

ORDER EXAMPLE

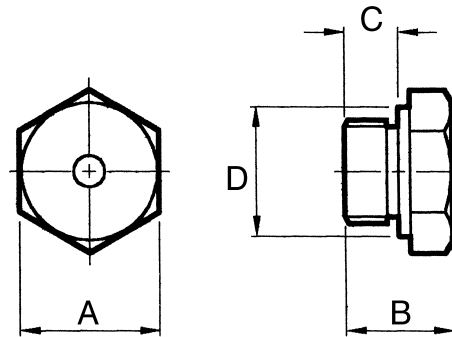
3/8" CBJ 7 Stainless Steel.



DIMENSIONS AND WEIGHTS

| Thread Size | Dimensions (mm) | | | | Weight (g) |
|-------------|-----------------|------|------|---------|------------|
| | A Hex | B | C | D (Dia) | |
| 1/8 | 14,0 | 10,7 | 6,4 | 12,7 | 10 |
| 1/4 | 18,0 | 14,0 | 7,0 | 16,5 | 20 |
| 3/8 | 20,8 | 20,0 | 10,0 | 20,0 | 32 |
| 1/2 | 25,7 | 25,4 | 12,7 | 24,9 | 63 |
| 3/4 | 31,8 | 33,3 | 15,9 | 31,0 | 105 |
| 1 | 38,0 | 47,6 | 19,1 | 38,0 | 210 |

Maximum Recommended Pressure: 35 Bar.G.



CAPACITY CHART

| NOZZLE NUMBER | APPROX. ORIFICE DIA. (mm) | BSPP THREAD SIZE | | | | | | FLOW RATE IN LITRES/MIN AT Bar.G. | | | | | | | | SPRAY ANGLE (°) AT Bar.G. | | | | |
|---------------|---------------------------|------------------|-----|-----|-----|-----|---|-----------------------------------|-------|-------|-------|-------|-------|-------|-------|---------------------------|-------|------|------|----|
| | | 1/8 | 1/4 | 3/8 | 1/2 | 3/4 | 1 | ,7 | 1 | 1,5 | 2 | 3 | 4 | 5 | 6 | 7 | 8 | ,7 | 2 | 5 |
| | | CBJ 1 | 1,6 | | | | | | | ,45 | ,53 | ,65 | ,76 | ,94 | 1,09 | 1,22 | 1,33 | 1,46 | 1,57 | 44 |
| CBJ 2 | 2,0 | | | | | | | ,62 | ,74 | ,87 | 1,00 | 1,20 | 1,37 | 1,53 | 1,67 | 1,80 | 1,93 | 60 | 70 | 75 |
| CBJ 3 | 2,4 | | | | | | | ,69 | ,84 | ,98 | 1,12 | 1,36 | 1,57 | 1,73 | 1,88 | 2,03 | 2,16 | 66 | 80 | 85 |
| CBJ 3 | 2,8 | | | | | | | ,74 | ,86 | 1,04 | 1,19 | 1,44 | 1,66 | 1,84 | 1,99 | 2,16 | 2,29 | 62 | 65 | 70 |
| CBJ 4 | 2,4 | | | | | | | ,90 | 1,07 | 1,29 | 1,47 | 1,79 | 2,04 | 2,27 | 2,46 | 2,67 | 2,85 | 62 | 66 | 80 |
| CBJ 5 | 2,8 | | | | | | | 1,02 | 1,21 | 1,47 | 1,70 | 2,09 | 2,40 | 2,70 | 2,93 | 3,21 | 3,39 | 74 | 83 | 83 |
| CBJ 6 | 3,2 | | | | | | | 1,21 | 1,45 | 1,77 | 2,04 | 2,51 | 2,89 | 3,23 | 3,52 | 3,83 | 4,09 | 75 | 84 | 86 |
| CBJ 7 | 3,6 | | | | | | | 1,36 | 1,62 | 1,99 | 2,30 | 2,84 | 3,31 | 3,68 | 4,02 | 4,36 | 4,69 | 75 | 90 | 95 |
| CBJ 7 | 3,2 | | | | | | | 1,70 | 2,00 | 2,44 | 2,82 | 3,42 | 3,95 | 4,40 | 4,83 | 5,24 | 5,57 | 64 | 68 | 76 |
| CBJ 8 | 3,6 | | | | | | | 1,84 | 2,17 | 2,66 | 3,06 | 3,73 | 4,47 | 4,78 | 5,24 | 5,70 | 6,06 | 72 | 85 | 84 |
| CBJ 9 | 4,0 | | | | | | | 2,16 | 2,55 | 3,08 | 3,54 | 4,29 | 4,92 | 5,46 | 5,98 | 6,48 | 6,89 | 84 | 90 | 88 |
| CBJ 11 | 4,7 | | | | | | | 2,39 | 2,87 | 3,52 | 4,14 | 5,10 | 5,93 | 6,62 | 7,26 | 7,95 | 8,50 | 86 | 90 | 90 |
| CBJ 13 | 5,5 | | | | | | | 2,85 | 3,41 | 4,21 | 4,92 | 6,06 | 7,26 | 7,91 | 8,69 | 9,51 | 10,10 | 87 | 97 | 98 |
| CBJ 18 | 4,7 | | | | | | | 3,88 | 4,60 | 5,61 | 6,43 | 7,91 | 9,10 | 10,20 | 11,21 | 12,12 | 13,03 | 67 | 73 | 74 |
| CBJ 20 | 5,5 | | | | | | | 4,69 | 5,57 | 6,80 | 7,86 | 9,65 | 11,21 | 12,52 | 13,64 | 14,85 | 15,86 | 74 | 75 | 80 |
| CBJ 26 | 6,4 | | | | | | | 5,46 | 6,58 | 8,13 | 9,46 | 11,72 | 13,64 | 15,35 | 16,97 | 18,58 | 19,90 | 80 | 84 | 80 |
| CBJ 29 | 7,1 | | | | | | | 6,34 | 7,63 | 9,42 | 10,91 | 13,43 | 15,76 | 17,68 | 19,39 | 21,11 | 22,62 | 88 | 88 | 87 |
| CBJ 33 | 7,9 | | | | | | | 6,99 | 8,36 | 10,50 | 12,22 | 15,15 | 17,88 | 20,10 | 22,22 | 24,24 | 26,06 | 95 | 95 | 92 |
| CBJ 28 | 4,7 | | | | | | | - | 7,08 | 8,83 | 10,20 | 12,63 | 14,85 | 16,67 | 18,38 | 20,10 | 21,61 | - | 50 | 45 |
| CBJ 39 | 5,9 | | | | | | | - | 10,06 | 12,52 | 14,65 | 18,08 | 21,11 | 23,94 | 26,26 | 28,68 | 30,81 | - | 60 | 55 |
| CBJ 53 | 7,1 | | | | | | | 10,61 | 12,83 | 15,86 | 18,58 | 22,83 | 26,66 | 30,10 | 33,07 | 36,26 | 38,58 | 65 | 60 | 62 |
| CBJ 60 | 7,9 | | | | | | | 12,63 | 15,15 | 18,69 | 21,61 | 26,56 | 31,01 | 34,74 | 38,18 | 41,31 | 44,14 | 70 | 65 | 67 |
| CBJ 66 | 8,7 | | | | | | | 14,34 | 17,17 | 21,01 | 24,24 | 29,59 | 34,14 | 38,18 | 41,81 | 45,45 | 48,28 | 70 | 65 | 65 |
| CBJ 75 | 9,5 | | | | | | | 15,96 | 18,99 | 23,43 | 27,07 | 33,13 | 38,58 | 43,23 | 47,37 | 51,51 | 52,82 | 73 | 70 | 70 |
| CBJ 102 | 12,3 | | | | | | | 23,03 | 27,27 | 33,33 | 38,48 | 46,86 | 53,73 | 59,79 | 65,25 | 70,80 | 75,35 | 80 | 83 | 83 |

HOLLOW CONE SPRAY

TYPE CBJ

Contact our Helpline for any special requirements:
Tel: +44 (0) 151 424 6821
Fax: +44 (0) 151 495 1043
e-mail: sales@delavan.co.uk
Web: www.delavan.co.uk

