

SPRAY CHARACTERISTICS

- Uniform distribution of spray droplets in a wide angle solid cone square shaped pattern.
- Droplet size is larger than in hollow cone nozzles of equal capacity.
- Impact of spray is generally greater with narrower spray angles, assuming the same flow rate. Pressure increases affect spray angle.

CONSTRUCTION AND MATERIALS

- One piece body with pressed-in, cross-milled core which is removable.
- Core imparts the necessary swirl to produce a solid cone spray pattern.
- Hexagon body for easy installation eliminates distortion of orifice during installation.
- Supplied in Male BSPP thread only.
- Brass and 316 Stainless Steel are standard.
- Other materials available to special order.

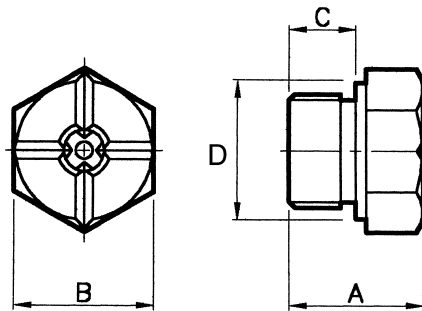
ORDER EXAMPLE

1/2" CBT 59 Brass.



DIMENSIONS AND WEIGHTS

Thread Size	Dimensions (mm)				Weight (g)
	A	B Hex	C	D	
1/8"	10,7	14,0	6,4	12,7	10
1/4"	14,0	18,0	7,0	16,5	20
3/8"	20,0	20,8	10,0	20,0	32
1/2"	25,4	25,7	12,7	24,9	63
3/4"	33,3	31,8	15,9	31,0	105
1"	47,6	38,0	19,1	38,0	210



Maximum Recommended Pressure:
35 Bar.G. (Metal), 7 Bar.G. (Plastic).

CAPACITY CHART

NOZZLE NUMBER	BSPP THREAD SIZE						FLOW RATE IN LITRES/MIN AT Bar.G.											SPRAY ANGLES (°) AT Bar.G.		
	1/8	1/4	3/8	1/2	3/4	1	0,35	0,7	1	1,5	2	3	4	6	7	8	,7	2	6	
CBT 6							0,88	1,25	1,50	1,88	2,18	2,65	2,87	3,41	3,54	3,76	110	100	90	
CBT 8							1,30	1,86	2,28	2,84	3,23	4,00	4,55	5,38	5,72	5,97	125	120	100	
CBT 11							1,86	2,79	3,23	3,86	4,31	5,15	5,45	6,73	7,43	7,70	115	120	95	
CBT 15							2,60	3,67	4,50	5,26	5,59	6,64	7,24	8,70	9,16	9,70	115	110	90	
CBT 18							3,10	4,40	5,39	6,30	6,70	7,96	8,68	10,43	10,98	11,63	120	120	95	
CBT 22							3,95	5,58	6,84	8,0	8,50	10,10	11,01	13,23	13,94	14,75	113	110	90	
CBT 25							4,27	6,04	7,24	8,43	9,32	11,01	12,32	14,65	15,76	16,26	120	120	100	
CBT 32							5,90	7,70	9,15	10,80	11,92	14,30	15,78	18,90	19,90	21,26	115	110	85	
CBT 39							7,20	9,40	11,15	13,14	14,52	17,40	19,20	23,00	24,25	25,90	120	120	90	
CBT 46							8,13	11,62	13,64	15,86	17,27	19,29	22,32	25,45	27,88	29,39	125	112	90	
CBT 48							8,33	12,52	15,25	16,87	18,18	23,13	24,54	29,80	32,52	34,34	125	120	90	
CBT 59							9,29	13,23	15,96	19,29	22,32	26,06	28,18	34,64	37,67	40,70	130	128	100	
CBT 65							12,00	15,65	18,60	21,92	24,21	29,00	32,05	38,37	40,40	43,20	115	110	85	
CBT 73							13,50	17,60	20,88	24,50	27,19	32,60	36,00	43,10	45,40	48,50	115	120	90	
CBT 82							15,35	20,0	23,74	27,98	30,91	37,07	40,91	48,99	51,61	55,15	115	112	90	
CBT 94							16,77	22,32	26,87	32,72	35,45	41,92	45,96	56,26	59,89	63,33	119	120	91	
CBT 98							18,08	23,23	27,78	34,24	37,27	44,34	50,00	59,59	64,54	67,87	112	120	90	
CBT 136							24,14	35,25	42,32	48,18	51,41	60,20	67,77	81,20	86,86	91,41	118	115	75	
CBT 153							27,88	38,08	46,97	53,93	57,97	67,47	76,36	91,30	98,07	108,07	125	120	85	
CBT 200							29,69	42,32	51,41	62,62	75,95	88,68	99,59	120,19	130,29	139,38	118	125	90	

SOLID CONE SPRAY

TYPE CBT

Contact our Helpline for any special requirements:
Tel: +44 (0) 151 424 6821
Fax: +44 (0) 151 495 1043
e-mail: sales@delavan.co.uk
Web: www.delavan.co.uk

