

SPRAY CHARACTERISTICS

- Produces a solid cone type spray pattern from a multiple orifice body.
- Relatively uniform distribution at all pressures, 360° coverage.
- Atomisation is finer than with a single nozzle of the same capacity.
- Available in a range of flow capacities and thread sizes.

CONSTRUCTION AND MATERIALS

- The cluster consists of a body fitted with 9 removable solid cone spray nozzles.
- Available with 3/8" - 1 1/2" Male BSPT thread connection only.
- Different spray nozzles can be installed to give non-standard spray patterns.
- Made in Brass and Stainless Steel as standard.
- Other materials available to special order.

ORDER EXAMPLE

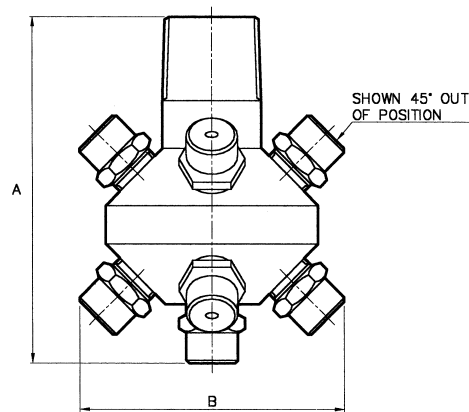
3/4" KN9-30, Stainless Steel.
1 1/2" KN9-300, Brass.



DIMENSIONS AND WEIGHTS

Thread Size	Dimensions (mm)		Weight (kg)
	A	B Dia	
3/8"	65,00	47,00	0,74
1/2"	91,00	69,00	0,97
3/4"	91,00	71,00	1,15
1"	87,00	85,00	1,50
1 1/4"	108,0	95,00	1,79
1 1/2"	146,0	112,0	2,00

Maximum Recommended
Pressure: 35 Bar.G. (Metal), 7 Bar.G. (Plastic).



CAPACITY CHART

ASSEMBLY NUMBER	NOZZLES	BSPT THREAD SIZE						FLOW RATE IN LITRES/MIN AT Bar.G.							
		3/8"	1/2"	3/4"	1"	1 1/4"	1 1/2"	0,7	1,0	2,0	3,0	4,0	5,0	6,0	7,0
KN9-10	1/8" BL 6							-	2,25	3,19	3,91	4,50	5,05	5,53	5,88
KN9-15	1/8" BL 9							-	3,38	4,78	5,86	6,76	7,56	8,29	8,88
KN9-20	1/8" BL 12							-	4,51	6,37	7,81	9,19	10,08	11,04	11,74
KN9-25	1/8" BL 14							-	5,64	7,98	9,77	11,27	12,61	13,80	14,69
KN9-30	1/8" BL 18							5,66	6,76	9,56	11,72	13,52	15,12	16,58	17,76
KN9-40	1/8" BL 25							7,54	9,02	12,74	15,62	18,38	20,16	22,08	23,48
KN9-50	1/4" BNM 6							9,44	11,28	15,98	19,55	22,55	25,24	27,64	29,58
KN9-75	1/4" BNM 7							14,16	16,92	23,97	29,33	33,83	37,86	41,46	44,37
KN9-100	1/4" BNM 8							18,88	22,57	31,92	39,10	45,14	50,48	55,25	58,75
KN9-120	1/4" BNM 11							25,11	29,07	38,79	46,35	49,05	55,29	60,57	66,87
KN9-150	1/4" BNM 16							28,32	33,85	47,87	58,63	67,69	75,69	82,88	88,11
KN9-200	3/8" BNM 20							37,76	45,14	63,83	78,18	90,27	100,9	110,2	117,9
KN9-250	3/8" BNM 25							47,19	56,41	79,78	97,72	112,8	126,1	138,1	146,8
KN9-300	1/2" BNM 32							56,64	67,70	95,74	117,2	135,3	151,3	165,7	176,2
KN9-400	1/2" BNM 37							75,52	90,28	127,6	156,3	180,5	201,8	220,4	235,8
KN9-500	1/2" BNM 48							94,38	112,8	159,5	195,5	225,6	252,2	276,2	293,6
KN9-600	1/2" BNM 59							113,2	135,4	191,4	234,4	270,6	302,6	331,4	352,4

CLEANING IN PLACE

TYPE KN9

Contact our Helpline for
any special requirements:
Tel: +44 (0) 151 424 6821
Fax: +44 (0) 151 495 1043
e-mail: sales@delavan.co.uk
Web: www.delavan.co.uk

